

SPEC # \_\_\_\_\_

QUANTITY \_\_\_\_\_

### APPLICATION

## ICE



### AT A GLANCE

Aqua-Pure® Models ICE120-S and ICE125-S single-cartridge water filtration systems assure consistent high-quality water for commercial cubers and flakers by reducing the harmful effects of sediment and chlorine at flow rates to 1.5 gpm (5.7 lpm). Built-in scale inhibition reduces the ability of calcium and magnesium to precipitate on the evaporator plates as hard scale.

- **ICE120-S** combines cyst, sediment, chlorine taste and odor reduction while providing protection from the harmful effects of chlorine corrosion and scale for up to 9,000 gallons (34,069 liters).
- **ICE125-S** combines chlorine taste and odor reduction with sediment and scale reduction for higher turbidity water, and provides protection from the harmful effects of chlorine corrosion and scale for up to 10,000 gallons (37,854 liters).

### PRODUCT BENEFITS

- Effectively reduces sediment and chlorine for equipment protection and clearer, great-tasting ice.
- Certified by NSF to Standard 53 for cyst reduction (ICE120-S system).
- NSF Standard 42 and/or FDA CFR-21 compliance provides assurance of safety.
- Built-in scale inhibitor reduces lime scale build-up on evaporator plates as tested by CUNO.
- Patented\* valve-in-head design simultaneously shuts off and vents water with 1/4 turn, allowing for simple and trouble-free cartridge change-outs.
- SQCTM – Sanitary Quick Change – encapsulated cartridge design allows for fast and easy change-outs with a 1/4 turn while minimizing the possibility of leakage and contamination.
- 3/8" FNPT horizontal inlet and outlet ports allow direct or easily adaptable connections to existing plumbing lines.
- Exhausted cartridges may be incinerated for environmentally conscious disposal.

### PRODUCT SPECIFICATIONS

Model Number	Part Number	Reduction Claims	Micron Rating	Capacity	Service Flow Rate	Application	Replacement Cartridge	Sizing
ICE120-S	56160-03	Cyst, Sediment, Chlorine Taste and Odor, Scale	0.5	9,000 gallons (34,069 liters)	1.5 gpm (5.7 lpm)	Most Normal Water	HF20-S: 56151-03	Low Flow Cubers to 750 lbs (340 kg) High Flow Cubers to 200 lbs (91 kg) Flakers to 1,200 lbs (544 kg)
ICE125-S	56160-04	Sediment, Chlorine Taste and Odor, Scale	1.0	10,000 gallons (37,854 liters)	1.5 gpm (5.7 lpm)	Higher Turbidity Water	HF25-S: 56152-03	Low Flow Cubers to 750 lbs (340 kg) High Flow Cubers to 200 lbs (91 kg) Flakers to 1,200 lbs (544 kg)

\* U.S. Patent #6,458,269



a 3M company

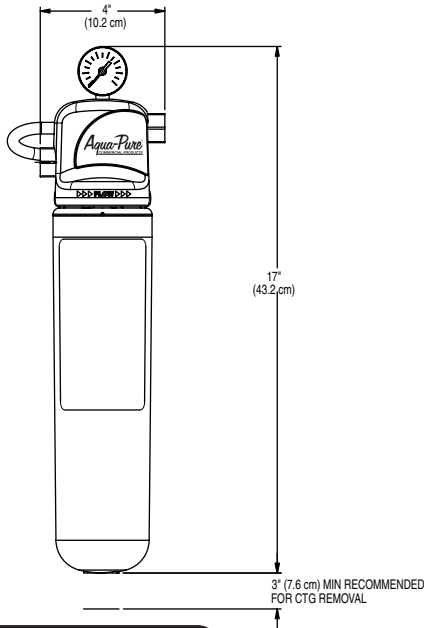


# Aqua-Pure® Commercial Products

SPEC # \_\_\_\_\_  
QUANTITY \_\_\_\_\_  
MODEL NUMBER \_\_\_\_\_  
PART NUMBER \_\_\_\_\_

**Aqua-Pure®**  
COMMERCIAL PRODUCTS  
ICE120-S/ICE125-S

## PHYSICAL SPECIFICATIONS



- System includes a head assembly with integral mounting bracket, pressure gauge, and a single cartridge filter.
- Inlet and outlet plumbing connections are 3/8" FNPT.
- System incorporates an internal automatic 1/4 turn shutoff valve.
- Filter cartridges are double o-ring seal type.
- System maximum operating pressure of 125 psi (862 kPa) and operating temperature of 100°F (38°C).
- Recommended service flow rate is up to 1.5 gpm (5.7 lpm).
- Filter cartridges incorporate carbon block media and scale inhibitor.
- System is NSF Standard 42 and/or CFR-21 compliant.
- Cartridge body is constructed from high-impact glass-filled polypropylene.
- Cartridges are sanitary in design, requiring no contact with the filter media during cartridge change-out.
- Filter cartridges require no pre-activation.
- A NSF Performance Data Sheet (PDS) is included.
- Shipping weight: 19 lbs (8.6 kg) per case
- Case quantity: 6

Do not use with water that is microbiologically unsafe or of unknown quality without adequate disinfection before or after the system. Systems certified for cyst reduction may be used on disinfected water that may contain filterable cysts. EPA Establishment Number 070595-CT-001.

CUNO Incorporated recommends regularly scheduled maintenance and replacement of the filter cartridge(s) in order for the product to perform as advertised/sold. Change the filter cartridge at least every 6 months. CUNO shall not be liable for system failures due to improper maintenance.

## INSTALLATION TIPS

- Shut off downstream equipment prior to installation of the system.
- Choose mounting location to support full system weight when operating.
- Do not exceed operating parameters for temperature or pressure.
- Do not install outdoors.
- For commercial use only with cold water.

## LIMITED 5 YEAR WARRANTY

CUNO Incorporated warrants to the original purchaser-consumer that this product is free from defects in materials and workmanship. This warranty, together with any and all warranties implied by law, shall be limited to a period of five (5) years from the date of original purchase by the consumer. This warranty does not apply to failures that result from abuse, misuse, alteration or damage not caused by CUNO. This warranty is subject to exclusions and limitations. Please refer to the Warranty Card provided with the product for details.

## SERVICE WORLDWIDE

**CHINA**  
CUNO Filtration Shanghai Co. Ltd.  
No. 2 Plant East Side  
Xin Miao San Road  
XinQiao Town SongJiang District  
Shanghai, China 201612

**JAPAN**  
CUNO K.K.  
Hodogaya Station Building 6F  
1-7, Iwai-Cho, Hodogaya-Ku  
Yokohama 240-0023, Japan

**AUSTRALIA**  
CUNO Pacific Pty Ltd.  
140 Sunnyholt Road  
Blacktown, N.S.W. 2148  
Australia

**BRAZIL**  
CUNO Latina Ltda  
Rua AMF do Brazil - 251  
18120 Mairinque-SP, Brazil

**EUROPE**  
CUNO Limited  
21 Woking Business Park  
Albert Drive  
Woking, Surrey  
GU21 5JY, England

**SINGAPORE**  
CUNO Filtration Asia Pte Ltd  
2A Tuas Avenue 12  
Singapore 639023



Visit [www.nsf.org](http://www.nsf.org) for the claims associated with products that are NSF listed.



a 3M company

## CUNO Incorporated

400 Research Parkway  
Meriden, CT 06450, USA  
Toll Free: 1.888.218.CUNO  
Worldwide: 203.237.5541  
Fax: 203.238.8701

[www.cunofoodservice.com](http://www.cunofoodservice.com)