

# 3M™ Water Filtration

SPEC# \_\_\_\_\_

QUANTITY \_\_\_\_\_

application: **COLD BEVERAGE**

models:

## BEV190/BEV195



3M™ Water Filtration Products Models BEV190 and BEV195 single cartridge water filtration systems help to improve the taste, appearance and consistency of your beverages at flow rates up to 5 gpm (18.9 lpm).

- **BEV190** combines cyst and bacteria<sup>1</sup> reduction with sediment and chlorine taste and odor reduction for up to 54,000 gallons (204,412 liters).
- **BEV195** combines sediment reduction from higher turbidity water with chlorine taste and odor reduction for up to 54,000 gallons (204,412 liters).

### PRODUCT BENEFITS

- Consistent high-quality, great tasting beverages for continued customer satisfaction.
- Revolutionary **I**ntegrated **M**embrane **P**re-**A**ctivated **C**arbon **T**echnology (“**IMPACT**”) dual-zone media cartridge construction combines a membrane in series with premium activated carbon to provide superior throughput and cartridge life.
- Built-in bacteria inhibitor intended to reduce fouling of media (HF90 replacement cartridge).
- Certified by NSF to Standard 53 for cyst reduction (HF90 replacement cartridge).
- NSF Standard 42 and/or FDA CFR-21 compliant materials.
- Reduction of up to 99.99% of common water-borne heterotrophic bacteria by membrane filtration as tested by CUNO (HF90 replacement cartridge).
- Reduction of sediment and abrasive hard particles helps prevent equipment wear and helps extend the life of pumps, valves, o-rings and seals.
- System includes a pressure gauge and inlet shut-off valve for simple installation and operation.
- Sanitary Quick Change (SQC) encapsulated cartridge design allows for fast and easy cartridge change-outs with a 1/4 turn.
- 1/2” FNPT horizontal inlet and outlet ports allow direct or easily adaptable connections to existing plumbing lines.

### PRODUCT SPECIFICATIONS

Model Number	Part Number	Reduction Claims	Nominal Micron Rating	Capacity	Service Flow Rate	Application	Replacement Cartridge	Sizing
<b>BEV190</b>	56164-01	Cyst, Bacteria <sup>1</sup> , Sediment, Chlorine Taste and Odor	0.2 <sup>2</sup>	54,000 gallons (204,412 liters)	5 gpm (18.9 lpm)	Most Standard Water	HF90: 56135-03	Serves Carbonator and Cold Beverage Dispensers up to 5 gpm (18.9 lpm)
<b>BEV195</b>	56164-02	Sediment, Chlorine Taste and Odor	3.0 <sup>2</sup>	54,000 gallons (204,412 liters)	5 gpm (18.9 lpm)	Higher Turbidity Water	HF95: 56135-07	Serves Carbonator and Cold Beverage Dispensers up to 5 gpm (18.9 lpm)

<sup>1</sup>As tested with either E.Coli ATCC (11229) or Pseudomonas (B) diminuta ATCC (19146)

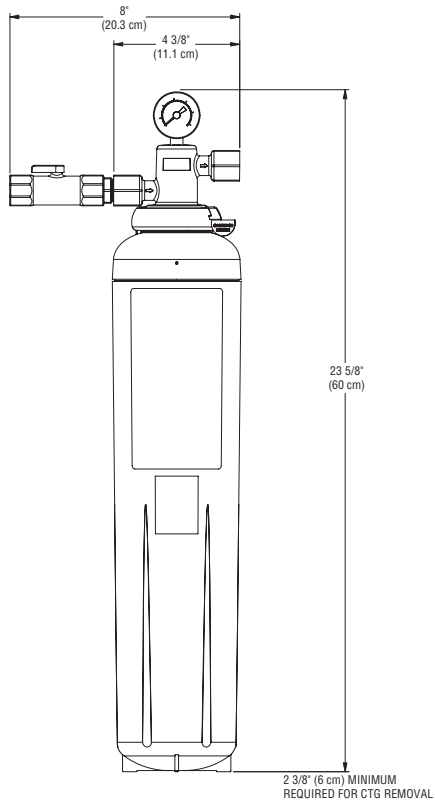
<sup>2</sup>NSF Certified for Particulate, Class I



# BEV190/BEV195

# 3M™ Water Filtration Products

SPEC# \_\_\_\_\_  
QUANTITY \_\_\_\_\_  
MODEL NUMBER \_\_\_\_\_  
PART NUMBER \_\_\_\_\_



### ⚠ WARNING: To reduce the risk associated with the ingestion of contaminants:

- Do not use with water that is microbiologically unsafe or of unknown quality without adequate disinfection before or after the system. Systems certified for cyst reduction may be used on disinfected water that may contain filterable cysts. EPA Establishment #070595-CT-001

CUNO Incorporated recommends regularly scheduled maintenance and replacement of the filter cartridge(s) in order for the product to perform as advertised/sold. CUNO shall not be liable for system failures due to improper maintenance.

### LIMITED WARRANTY

CUNO Incorporated warrants this Product (excluding disposable filter cartridge(s)) to be free from defects in material and workmanship for five (5) years from the date of purchase. The disposable filter cartridge is warranted from defects in material and workmanship for a period of one (1) year from the date of purchase. This warranty does not cover failures resulting from abuse, misuse, alteration or damage not caused by CUNO or failure to follow installation and use instructions. If the Product is defective CUNO will replace the Product or refund your Product purchase price. CUNO will not be liable for any indirect, special, incidental, or consequential damages arising from the use of this Product. Some states do not allow the exclusion or limitation of incidental or consequential damages, so the above limitation may not apply to you. To obtain warranty service, mail your request to Warranty Claims, CUNO Incorporated, 400 Research Parkway, Meriden, CT 06450. Proof of purchase (original sales receipt) must accompany the warranty claim, along with a complete description of the Product, model number and alleged defect. This warranty gives you specific legal rights and you may have other rights which vary from state to state, or country to country.

### PHYSICAL SPECIFICATIONS

- System includes a head assembly with pressure gauge, inlet water shut-off valve assembly, mounting bracket and a single cartridge filter.
- Inlet and outlet plumbing connections are 1/2" FNPT.
- Filter cartridges are o-ring seal type.
- System maximum operating pressure of 125 psi (862 kPa) and operating temperature of 100°F (37.8°C).
- Recommended service flow rate is up to 5 gpm (18.9 lpm).
- Filter cartridges incorporate a bacteriostatic carbon block filtration medium (HF90 replacement cartridge).
- System materials are NSF Standard 42 and/or FDA CFR-21 compliant.
- Cartridges are sanitary in design, requiring no contact with the filter media during cartridge change-out.
- Filter cartridges require no pre-activation.
- NSF Performance Data Sheet (PDS) is included.
- Shipping weight: 5.8 lbs. (2.6 kg) per case.
- Operating weight: 11 lbs. (5 kg) per case.
- Case quantity: 1.

### IMPORTANT: INSTALLATION TIPS

These installation tips are for informational purposes only and are not intended to be used as actual installation instructions. **CAUTION: To reduce the risk associated with property damage due to water leakage:**

- **Read and follow** Use Instructions before installation and use of this system.
- Installation and use **MUST** comply with all state and local plumbing codes.
- **Protect from freezing**, remove filter cartridge when temperatures are expected to drop below 40°F (4.4°C).
- **Do not install on hot water supply lines.** The maximum operating water temperature of this filter system is 100°F (37.8°C).
- **Do not install** if water pressure exceeds 125 psi (862 kPa). If your water pressure exceeds 80 psi (552 kPa), you must install a pressure limiting valve. Contact a plumbing professional if you are uncertain how to check your water pressure.
- **Do not install** where water hammer conditions may occur. If water hammer conditions exist you must install a water hammer arrester. Contact a plumbing professional if you are uncertain how to check for this condition.
- The disposable filter cartridge **MUST** be replaced every 12 months, at the rated capacity or if a noticeable reduction in flow rate occurs.



Visit [www.nsf.org](http://www.nsf.org) for the claims associated with products that are NSF listed.